

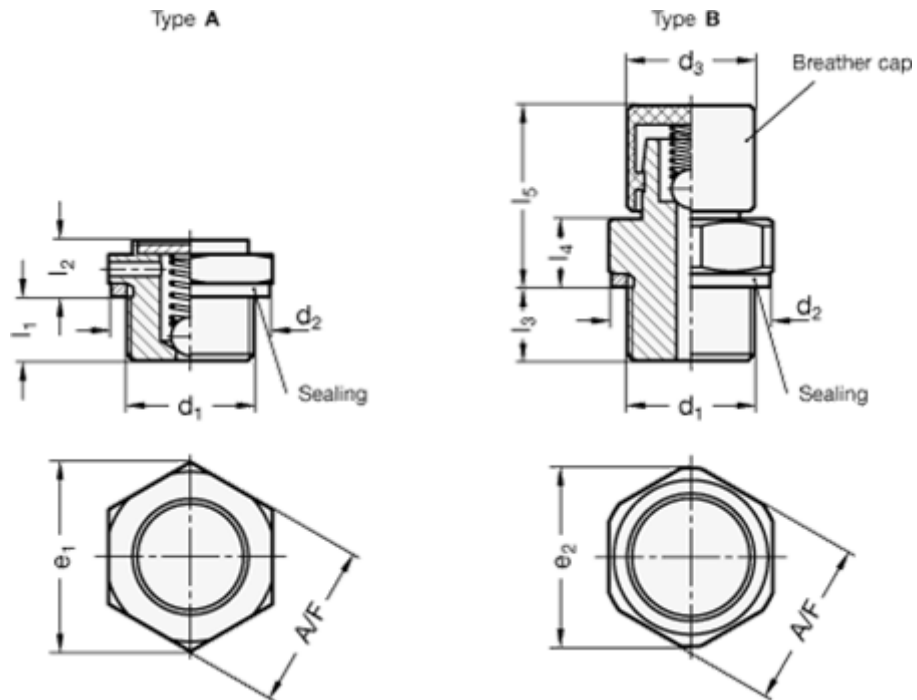
# Data Sheet



Article number: 20883M1615160AMS

Description: E+G Udluftningsfilter - M16x1.5

## Measures



	= -	l2	= 11
	= -	l3	= 7.5
A/F	= 22	l4	= 7.5
Air passage l/min.	= -	l5	= 19
d2	= 22	Opening pressure in mbar = Min. 160 - Max. 240. mbar	
d3	= 13	Thread d1 = M16x1.5	
e	= 24		
l1	= 9		